

Easy Lift Equipment Co., Inc.

2 Mill Park Court, Newark, Delaware 19713 - Phone: 800-233-1800 / 302-737-7000

EASYLIFT NARROW AISLE DRUM TRANSPORTER WITH EG1 OR EG2L OPERATION & MAINTENANCE INSTRUCTIONS



EASY LIFT EQUIPMENT NARROW AISLE DRUM TRANSPORTERS

INTRODUCTION

EasyLift narrow aisle drum transporters utilize an automatic clamping mechanism for handling any size steel, plastic, or fiber chimed drum. These units vary in capacity from 100 to 700 pounds. The specification plate affixed to each unit provides the following information: model number, serial number, unit weight, and lifting capacity.

This manual contains information to instruct you on the proper use and maintenance of your EasyLift narrow aisle drum transporter. This manual should be available to all operators that will use the Easylift. Follow the maintenance procedures carefully to ensure a safe and reliable service life. Do not operate this equipment until you have read and understood these instructions.

COMISSIONING YOUR NARROW AISLE DRUM TRANSPORTER

1. Remove all packing materials, protective strapping, and wood shipping blocks, then remove the machine from the shipping pallet or crate.
2. Perform a visual inspection for component damage, including checking for hydraulic oil leaks.
3. Check that the ergonomic step-down floor lock is working properly by depressing the small portion of the brake pedal to release foot lock. To engage the foot lock, depress the large portion of the pedal to contact the floor. If functioning properly the device should release and lock. Check that the caster wheels are free of obstruction and functioning properly.

MODELS EQUIPPED WITH SCALE SYSTEMS

If your equipment has a scale system, the indicator has already been calibrated and tested before leaving the factory. The indicator has been disconnected and packaged separately for safe travel. Unpack the indicator from the box and mount it to the swing bar above the lift control using the provided mounting bracket. After mounting, connect the indicator cable to the corresponding indicator cable on the machine by screwing the male and female ends together. Standard scale indicators have internal batteries. Intrinsically safe indicators have external batteries which require mounting under the indicator and connecting the battery cable to the back of the indicator. Scale indicators are provided with a separate set of instructions and are packaged with the indicator. Please read the scale indicator operations manual for instructions of use.

Turn the indicator “ON” and ensure it reads zero before engaging a drum. Follow the instructions, listed in the manual, for engaging the drum or roll. If handling drums containing liquids, it may take up to one minute for the indicator to settle on a specific weight. Most scale indicators are so to display the weight in increments of 0.1 lb. or 0.05 kg,

DAILY SAFETY INSPECTION

1. Perform a visual inspection, checking for any evident damage to the machine or any hydraulic oil leakage from previous use. Check all hydraulic connections and look under the machine itself for leaks.
2. Check to see the step-down floor lock is functioning properly and wheels are free of obstruction.
3. Perform a visual inspection, checking for loose or damaged springs and jaws in the clamping mechanism

Do not operate your EasyLift if you notice any unsafe condition(s) that may have been caused by an accident or malfunction from previous use. Immediately report any unsafe conditions or issues with the equipment to your supervisor. Tag the machine properly to keep others from using it until the issue has been corrected.

SAFETY PRACTICES

1. Do not lift loads that exceed the machines' rated capacity.
2. For transport, lift the drum just high enough so the drum has only the necessary floor clearance for travel. Do not transport or move a drum at heights greater than 6"/15cm above floor height.
3. Keep hands or other objects clear of the lifting cylinder, clamping mechanism and mast and mast chain during operation.
4. Do not use the machine on inclined floors having a slope of more than 5 degrees.

WARNINGS

WARNING: Do not lift or suspend loads over people. Stay clear of suspended loads.

WARNING: Do not attempt to operate the equipment beyond its rated capacity.

WARNING: Never move the machine when the load is at its maximum lifting height. Lower the mast so the drum has only the necessary floor clearance.

WARNING: Keep hands and feet away from the pinch points such as; mast channel, lifting & rotation chains, clamp and any other moving parts.

WARNING: Do not make alterations or modifications to the machine without authorization from Easy Lift Equipment.

WARNING: Do not leave the machine outside in inclement weather for extended periods.

WARNING: Never press the small lowering pedal too hard. The pedal is pressure sensitive allowing the drum to be lowered at a safe controller speed. Pressing the lowering pedal too hard will cause the drum to lower too quickly causing possible damage or injury.

WARNING: Never leave the machine unattended without applying the step-down floor lock. Leaving the machine unsecured may allow it to move inadvertently and cause property damage or personal injury.

WARNING: Never operate the machine on an inclined floor with a slope of more than 5 degrees.

EASYLIFT NARROW AISLE DRUM TRANSPORTER OPERATING INSTRUCTIONS

TO ENGAGE AND TRANSPORT DRUMS:

1. Press down on the small lowering pedal of the lift cylinder so the clamp is fully lowered. Center the clamping mechanism with the center of the drum and push the machine forward until the clamping mechanism contacts the drum. The lower jaw of the clamping mechanism needs to be slightly below the drums' chime. If it is above the drums chime, refer to the instructions below for adjusting the height of the clamping mechanism.
2. Push the larger lever of the lift cylinder to elevate the clamp allowing it to engage the clamping mechanism onto the chime of the drum. Maintain a small amount of forward pressure on the machine to keep the clamp tight against the drum to ensure the clamping mechanism grips the drum chime securely. After the clamp is engaged continue pumping the foot pedal until the drum is elevated slightly above floor level for safe travel. The pushed to transport the drum.
3. Press the smaller release pedal to lower the clamping mechanism and drum until the upper clamping jaw has retracted completely, disengaging the drum.

ADJUSTING CLAMPING MECHANISM FOR VARIOUS HEIGHT DRUMS:

MODELS WITH THE CLAMPING MECHANISM INSIDE THE MAST CHANNEL

1. Standard models required the operator to pump the lift pedal many times to fully elevate the clamping mechanism without a load. There are two lower hole positions available to lower the clamping mechanism to handle shorter height drums. The lowest position available will enable the drum transporter to clamp drum as short as 26"/66 cm in overall height.
2. Remove the circle cotter pin & adjustment pin while holding the clamping mechanism with your other hand. Lower the clamping mechanism to one of the lower hole positions available. Then re-insert the adjustment pin & cotter pin into the desired location. Lower the inner mast by fully depressing on smaller lowering pedal.

MODELS WITH THE CLAMPING MECHANISM OUTSIDE THE MAST CHANNEL

1. Remove the cotter & adjustment pin while holding the clamping mechanism with your other hand. Lower the clamping mechanism into one of the six lower hole positions available so that the lower jaw is slightly below the chime of the drum with the drum at floor level. Re-insert the adjustment & cotter pins into the desired hole position.

MODELS EQUIPPED WITH SCALE SYSTEMS

If your equipment has a scale system, the indicator has already been calibrated and tested before leaving the factory. The indicator has been disconnected and packaged separately for safe travel. Unpack the indicator from the box and mount it to the swing bar above the lift control using the provided mounting bracket. After mounting, connect the indicator cable to the corresponding indicator cable on the machine by screwing the male and female ends together. Standard scale indicators have internal batteries. Intrinsically safe indicators have external batteries which require mounting under the indicator and connecting the battery cable to the back of the indicator. Scale indicators are provided with a separate set of instructions and are packaged with the indicator. Please read the scale indicator operations manual for instructions of use.

Turn the indicator “ON” and ensure it reads zero before engaging a drum. Follow the instructions, listed in the manual, for engaging the drum or roll. If handling drums containing liquids, it may take up to one minute for the indicator to settle on a specific weight. Most scale indicators are so to display the weight in increments of 0.1 lb. or 0.05 kg,

MAINTENANCE INSTRUCTIONS

1. Before every usage, check that all spring, pins, casters, lift chain and its anchors are in good working order and the hydraulic jack works properly without leakage.
2. On a monthly basis, spray light grade oil on moving parts in the clamping mechanism to ensure smooth operation. It is recommended to keep the clamping mechanism lubricated and free from foreign materials which may impede proper operation of jaws and springs. The Darcor™ casters equipped on this equipment have precision sealed ball bearings and require no lubrication.
3. For heavy usage, it is recommended to replace all springs, hydraulic oil and sealing components of the hydraulic cylinder once each year.

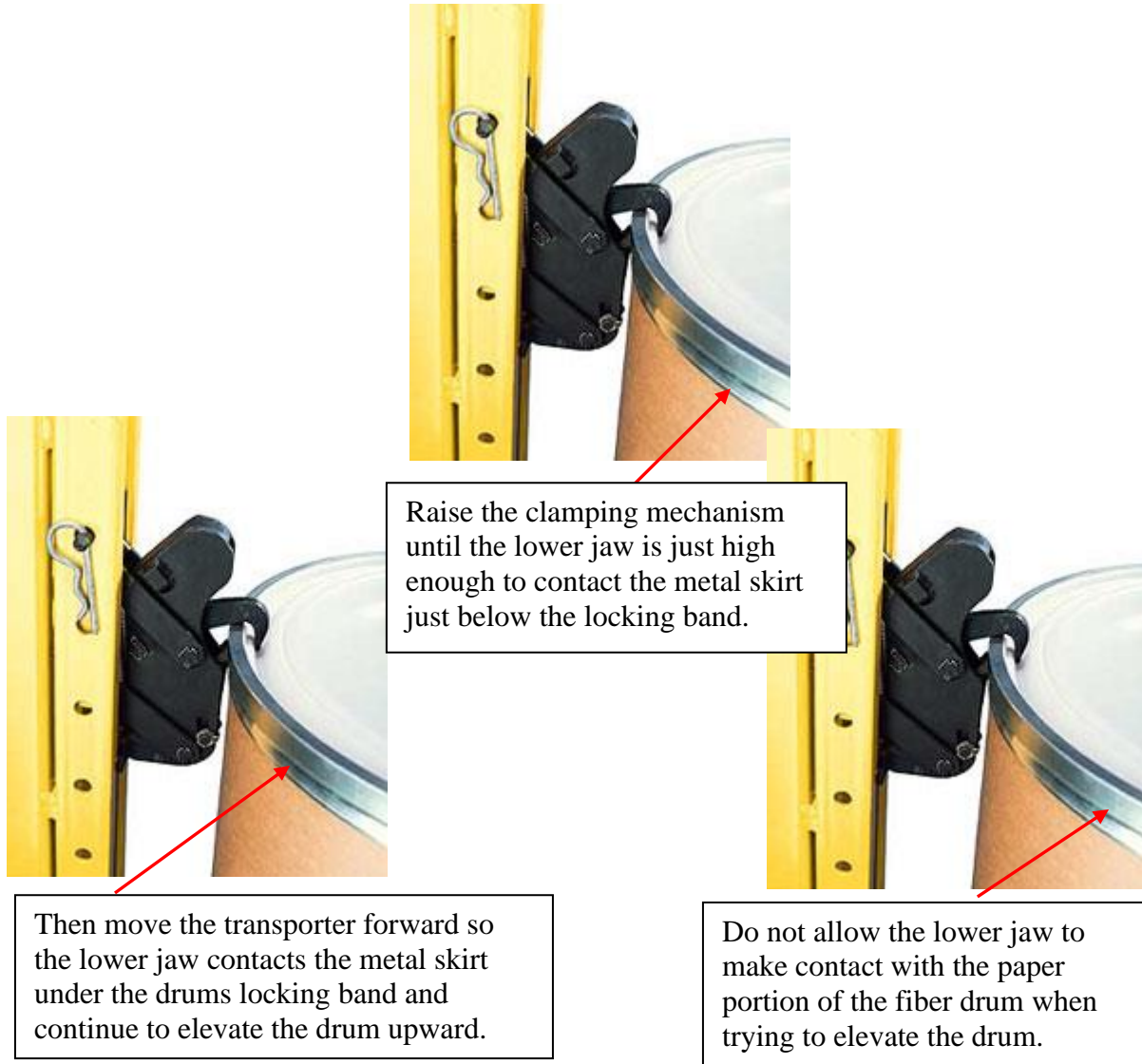
EASYLIFT NARROW AISLE DRUM TRANSPORTER MAINTENANCE CHECKLIST

			Maintenance Intervals			
			1 Mo	6 Mo	12 Mo	3 Years
Structural Steel:	1.1	Check for cracked welds on frame		X		
	1.2	Check to verify that specification data plates are affixed to the unit			X	
	1.3	Grease mast rollers and check roller condition			X	
Clamping Head(s):	2.1	Inspect heads for loose or missing pins, cotter pins, springs, and replace as necessary	X			
	2.2	Lubricate clamping mechanisms	X			
	2.3	Replace all springs			X	
	2.4	Replace all pins, and links				X
Wheels:	3.1	Grease wheel swivel grease fittings			X	
	3.2	Check wheels for excessive wear and proper alignment			X	
Hydraulic Cylinder:	4.1	Check cylinder for leaks and proper operation	X			
Chain:	5.1	Verify proper chain tension and inspect chain for damage			X	
	5.2	Lubricate chain			X	

The maintenance intervals refer to normal service conditions.
In high volume usage conditions, the intervals must be increased as required.

EasyLift Narrow Aisle Transporter with EG1 Single Clamping Mechanism for use on Fiber Drums

IMPORTANT NOTE FOR HANDLING FIBER DRUMS



IMPORTANT:

It is important that the lower jaw does not contact the paper portion of the drum when raising the drum. Keep the lower jaw away from the paper portion of the drum until the lower jaw of the clamping mechanism is high enough to contact the metal skirt below the locking band. Then push the transporter forward to contact the skirt and continue to elevate the clamping mechanism. If the lower jaw contacts the paper portion of the drum when elevating the drum, the clamping mechanism will attempt to clamp the drum in this position and miss or tear the skirt. If this is done incorrectly, lower the clamp and try again. The clamping mechanism can also grip the drum without the lid and locking band.

EasyLift Narrow Aisle Drum Transporter with EG2L Double Clamping Mechanism for use on Fiber Drums

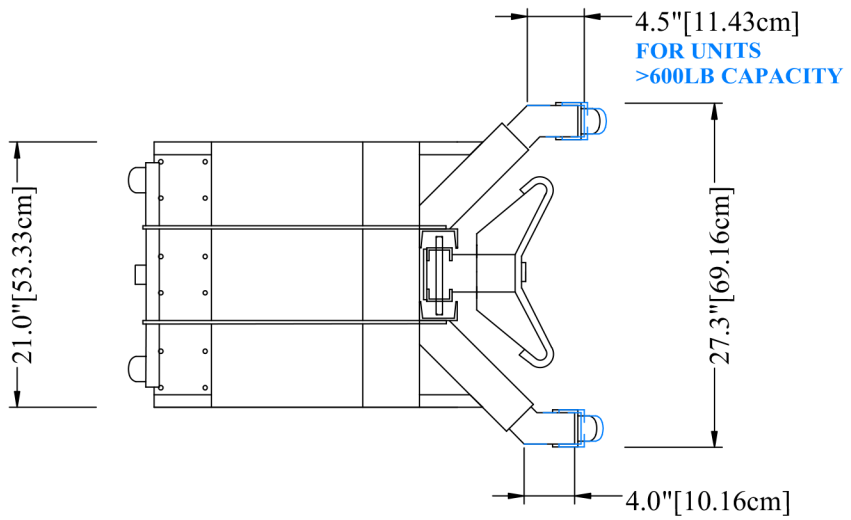
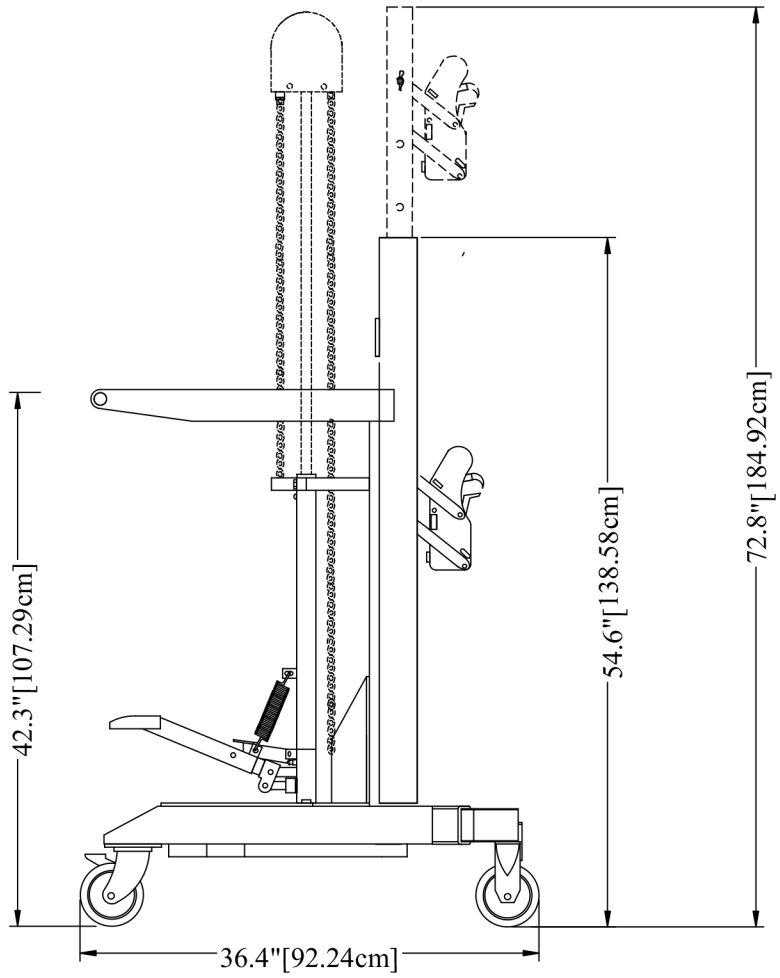
IMPORTANT NOTE FOR HANDLING FIBER DRUMS



When handling fiber drums it is necessary to engage the fiber drum guards prior to attempting to grip fiber drums.

To engage the fiber drum guards, remove each pin on the top of each side of the double clamping mechanism and pull the fiber drum guards forward. With the fiber drum guards in a forward position, inset the pins back into the guards to lock them in the forward position. The purpose of the fiber drum guards is to keep the lower clamping jaws from contacting the paper side of the drum when elevating the clamp against the drum. The lower clamping jaws will move under the locking band of the drums lid when the clamp is elevated to the proper height.

When not handling fiber drums, remove the pins again, move the guards back to the original position and re-inset the pins.



Easy Lift Equipment Co., Inc.

2 Mill Park Court, Newark, Delaware 19713 - Phone: 800-233-1800 / 302-737-7000

EASY LIFT EQUIPMENT WARRANTY POLICY FOR MODELS WITH PREFIXES: ED/EL/ELDR/EG & RCR

Easy Lift Equipment (“ELE”) warrants each new product to be free from factory material and workmanship defects, under normal use with proper maintenance, for a period of 12 months. Warranty coverage for this warranty period is provided by authorized dealers and includes parts. Labor is covered for the same periods of 12 months as outlined above. Please call ELE for the authorized repair dealer in your area.

ELE shall be the sole judge of the validity of any claim or defect and may elect to make any replacement or repair of any part thereof that it has agreed to be defective. Wearable Items such as: hoses, bearings, belts, seals, springs and wheels are wear items and not covered under warranty. ELE assumes no responsibility whatsoever to work done, parts replaced, or expenses incurred not specifically authorized by ELE. Normal maintenance or replacement of service items is not covered by this warranty. No warranty claims will be considered for customers with any delinquent outstanding balance. When batteries, battery chargers, scale printers or scale indicators are purchased from ELE with the equipment, the original manufacturer’s warranty applies.

WARRANTY LIMITATION/DISCLAIMERS:

Easy Lift Equipment reserves the right to void warranty coverage if the unit has been overloaded beyond rated capacity; damaged due to: abuse, misuse, neglect, accidents, freight damage, improper usage, improper repair, and/or improper storage; or any modification or repair conducted in a manner not approved by Easy Lift Equipment. Equipment used in freezers, abrasive, corrosive, and/or excessively moist conditions must be properly equipped for the environment to ensure the warranty is not voided. Warranty questions and claims should be directed to our customer service department. ELE customer service representatives will help you assess and resolve the claim or assist you in contacting the local authorized dealer or representative. The warranty described here shall constitute the sole remedy of the authorized dealer and/or the initial purchaser. ELE neither assumes nor authorizes any person to assume for it any other obligation or responsibility in connection with this product warranty. In no event shall ELE be responsible for direct, indirect, special or consequential damages or any other delay or any economic or commercial loss resulting from Easy Lift Equipment’s performance or non-performance under this warranty. This warranty is expressly in lieu of all warranties, obligations or responsibilities of ELE dealers or other authorized source, expressed, implied or statutory.

SUBMITTING CLAIMS:

To make a claim under this policy, please contact Easy Lift Equipment for assistance. We can be reached by calling 800-233-1800 ext. 4 for customer service or by writing to sales@easylifteqpt.com. Do not return defective parts unless a return authorization (RA) has been provided requesting the return. If requested, we will provide shipping information on how the part should be returned and bear the expense for the return shipping, if the part is proven to be defective. A copy of the work order made at the time of the repair and parts claimed under warranty may be requested for ELE’s inspection.

ORDERING PARTS:

Easy Lift Equipment’s parts are distributed through our customer service department and ship the same day as ordered whenever possible. You will be well taken care of whenever parts, adjustments or repairs are needed. **When contacting ELE, please be sure to state the model and serial number for the equipment.** There is no cost for electronic copies of replacement manuals, parts lists and other general information containing part numbers and nomenclature. Most manuals contain parts pricing, but it is not guaranteed to be valid as parts pricing can change at any time without notice. Any customer service representative can provide timely parts quotations upon request. Adherence to above procedure will save time and provide prompt assistance when it counts. You are of course always welcome to bring to us any questions, comments or recommendations pertaining to your Easy Lift Equipment products.

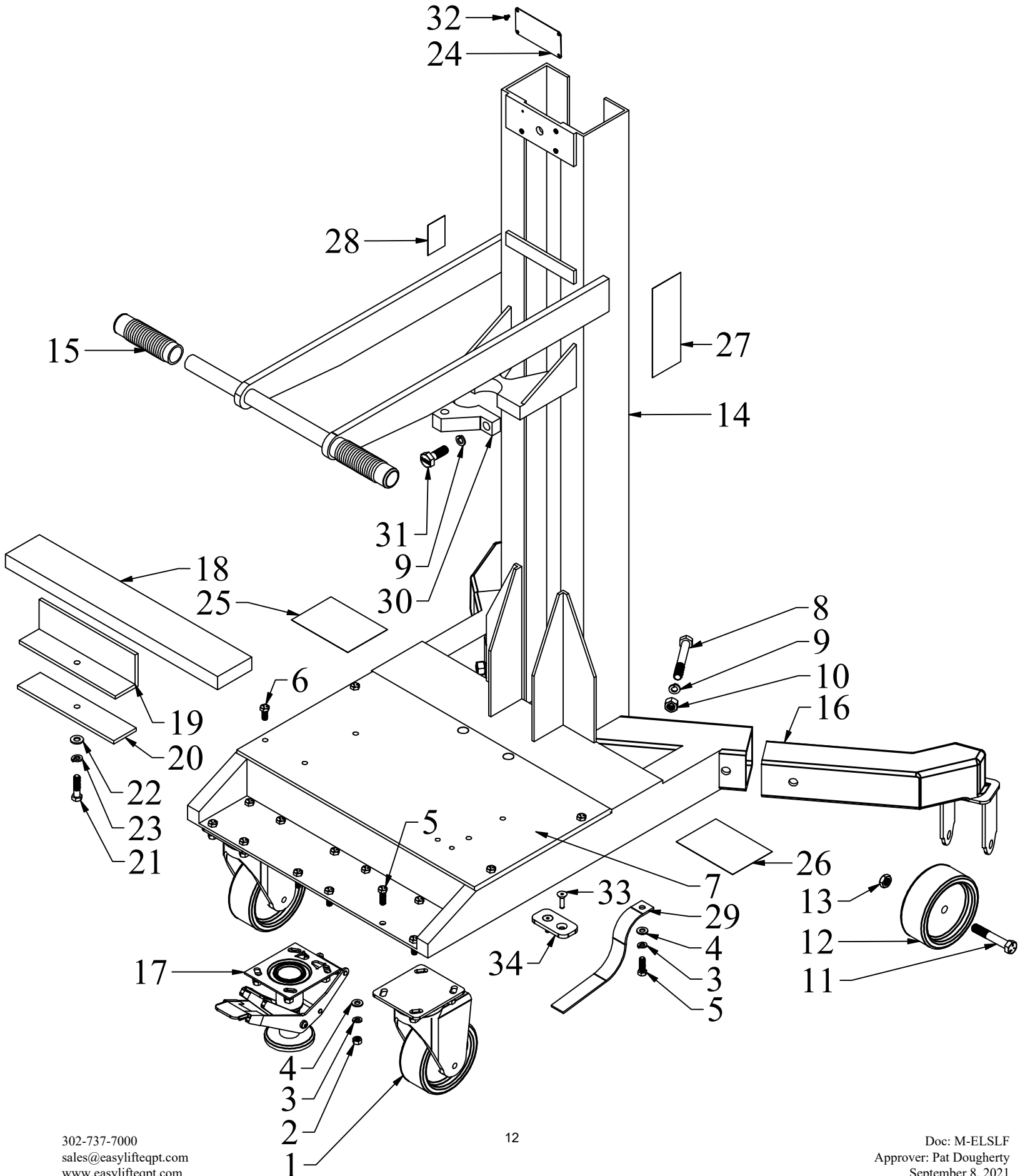
MANUFACTURER CONTACT INFORMATION:

Easy Lift Equipment Co., Inc.
2 Mill Park Ct.
Newark, DE 19713
Email: sales@easylifteqpt.com

Phone: 800-233-1800: 302-737-7000
Fax: 302-737-7333
Website: www.easylifteqpt.com

THIS PAGE INTENTIONALLY LEFT BLANK

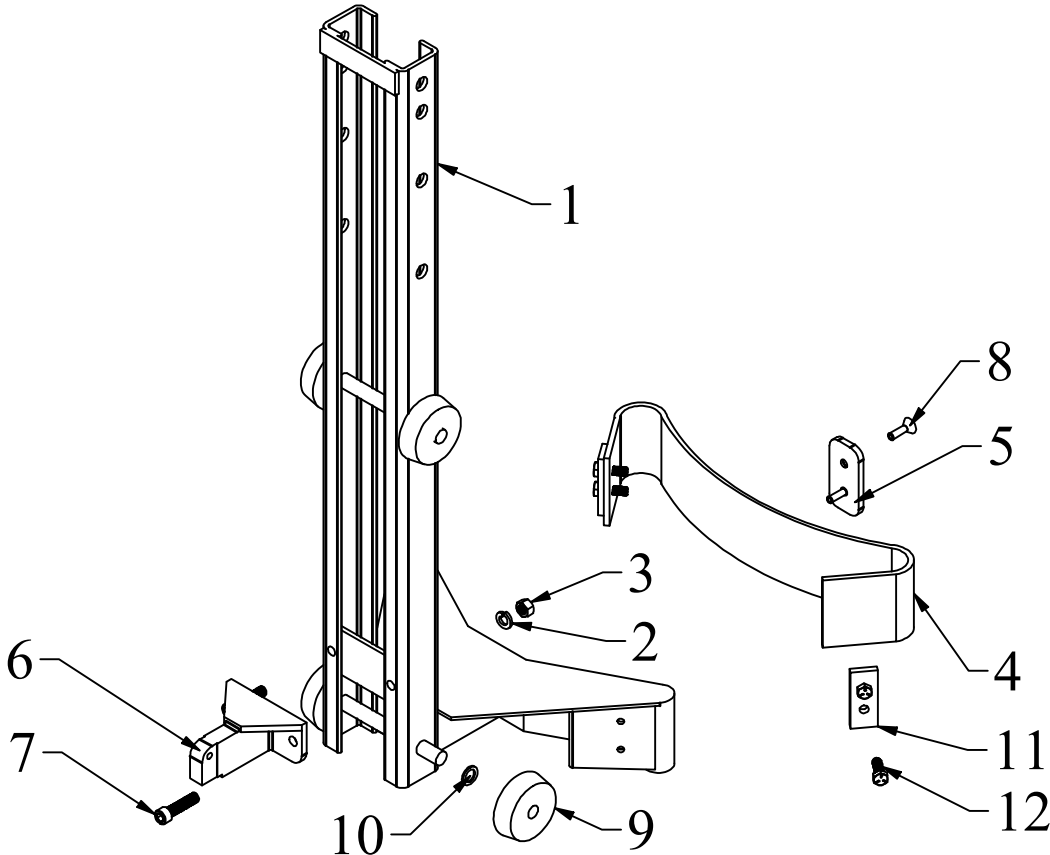
EASYLIFT NARROW AISLE DRUM TRANSPORTER FRAME ASSEMBLY



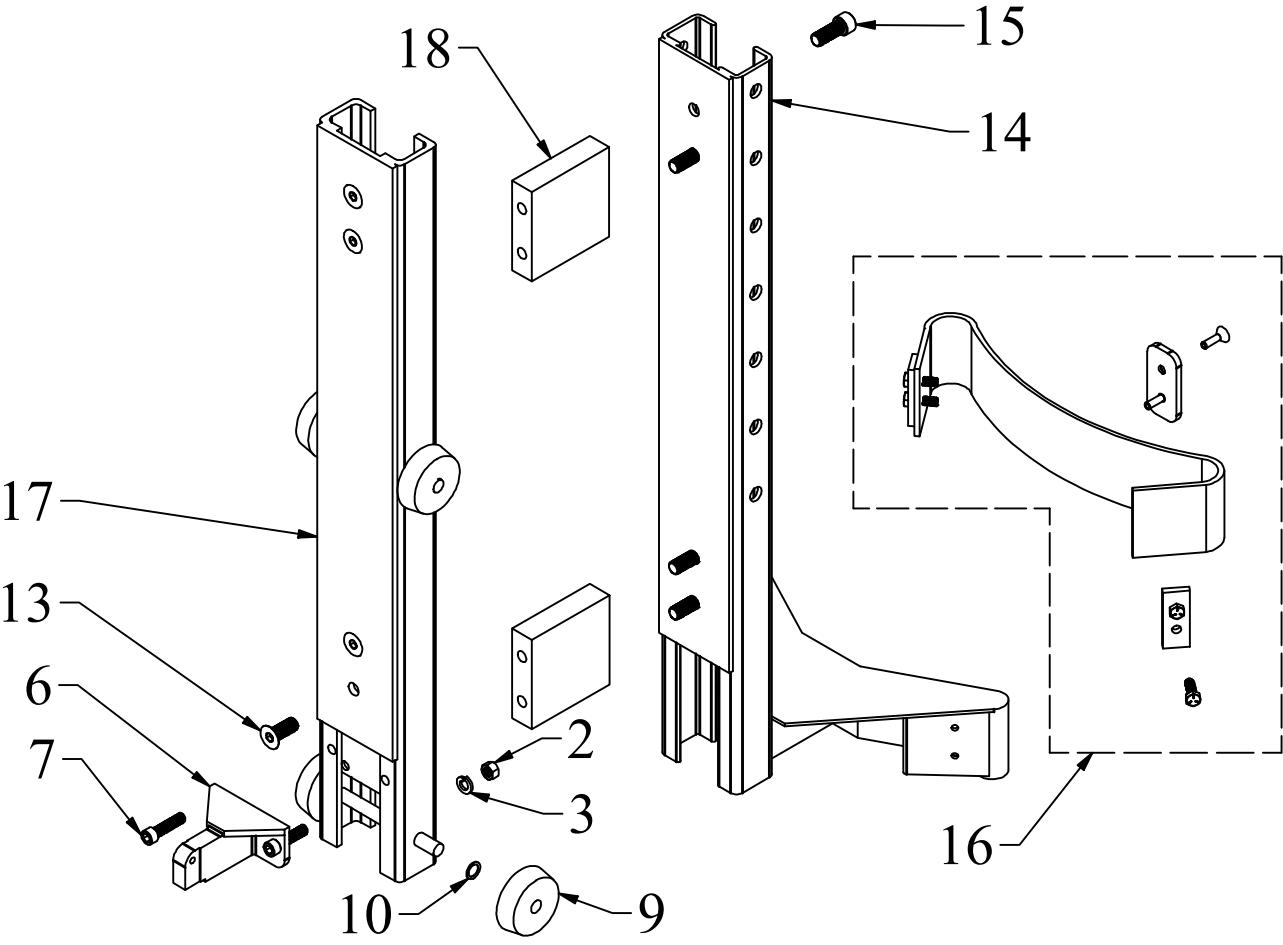
**EASYLIFT NARROW AISLE DRUM TRANSPORTER FRAME
PARTS LIST**

<u>ITEM</u>	<u>PART NO.</u>	<u>DESCRIPTION</u>	<u>QTY</u>
1	31-405-PSE	5" Swivel Caster with PSE Wheel	2
-	W-405-PSE	5" PSE Wheel Only	-
1	31-408B-PSE	8" Swivel Caster with PSE Wheel & Brake	2
-	W-408-PSE	8" PSE Wheel Only	-
2	5/16-18 HN	5/16-18 Finished Hex Nut (zinc)	12
2	5/16-18 HN-SS	5/16-18 Finished Hex Nut (stainless steel)	12
3	5/16 LW	5/16 Lock Washer (zinc)	13
3	5/16 LW-SS	5/16 Lock Washer (stainless steel)	13
4	5/16 FW	5/16 Flat Washer (zinc)	13
4	5/16 FW-SS	5/16 Flat Washer (stainless steel)	13
5	5/16-18 X 1 HHCS	5/16-18 x 1 Hex Head Cap Screw Grade 5 (zinc)	13
5	5/16-18 X 1 HHCS-SS	5/16-18 x 1 Hex Head Cap Screw (stainless steel)	13
6	5/16-18 X 3/4 HHCS	5/16-18 x 3/4 Hex Head Cap Screw Grade 5 (zinc)	4
6	5/16-18 X 3/4 HHCS-SS	5/16-18 x 3/4 Hex Head Cap Screw (stainless steel)	4
7	2580305	SL Ergo Top Plate (DC Style)	1
8	1/2-13 x 3 3/4 HHCS	1/2-13 x 3 3/4 Hex Head Cap Screw Grade 5 (zinc)	2
8	1/2-13 x 3 3/4 HHCS-SS	1/2-13 x 3 3/4 Hex Head Cap Screw (stainless steel)	2
9	1/2 LW	1/2 Lock Washer (zinc)	4
9	1/2 LW-SS	1/2 Lock Washer (stainless steel)	4
10	1/2-13 HN	1/2-13 Finished Hex Nut (zinc)	2
10	1/2-13 HN-SS	1/2-13 Finished Hex Nut (stainless steel)	2
11	1/2-20 x 3 1/4 HHCS	1/2-20 x 3 1/4 Hex Head Cap Screw (zinc)	2
12	W-405-PSE	5" PSE Wheel Only	2
12	W-408-PSE	8" PSE Wheel Only	2
13	1/2-20 THIN NLN	1/2-20 Thin Nylon Locking Nut (Zinc)	2
14	3530119	SL Frame (20" lift, AC/DC powered)	1
14	3530120	SL Frame (40" lift, AC/DC powered)	1
14	3530121	SL Frame (60" lift, AC/DC powered)	1
15	65657	Handle Grips	2
16	3530214	SL Leg Set for 5" Casters at 300lb capacity (2")	1
16	3530217	SL Leg Set for 5" Casters up to 600lb capacity (4")	1
16	3530218	SL Leg Set for 8" Casters up to 600lb capacity (4")	1
16	3530231	SL Leg Set for 5" Casters over 600lb capacity (4.5")	1
16	3530232	SL Leg Set for 8" Casters over 600lb capacity (4.5")	1
17	16LF0580	Step Down Floor Lock (for 5" wheels)	1
17	16LF0880	Step Down Floor Lock (for 8" wheels)	1
18	1" x 3" x 18-3/4" HRFB CW	1" x 3" x 18-3/4" HRFB SL Counter Weight	-
19	3530515	Counter Weight Hold-Down Flat Bar	1
20	3530516	Counter Weight Hold-Down Angle	1
21	3/8-16 x 2 HHCS	3/8-16 x 2 Hex Head Cap Screw (zinc)	1
21	3/8-16 x 2 HHCS-SS	3/8-16 x 2 Hex Head Cap Screw (stainless steel)	1
22	3/8 FW	3/8 Flat Washer (zinc)	1
22	3/8 FW-SS	3/8 Flat Washer (stainless steel)	1
23	3/8 LW	3/8 Lock Washer (zinc)	1
23	3/8 LW-SS	3/8 Lock Washer (stainless steel)	1
24	MCL007031	Specification Plate	1
25	ADART002	Attention Read Operations Manual Decal	1
26	ADART600	600lbs/272kg Capacity Sticker	1
27	ADART016	ELE Address Decal (Vertical)	2
28	ADART009	Warning 5 Degree Decal for ELE & EL	1
29	S-207	Grounding Strap	1
30	35091	Cylinder Clamp Bracket	1
31	1/2-13 x 1 1/2 HHCS	1/2-13 x 1 1/2 Hex Head Cap Screw Grade 5 (zinc)	2
31	1/2-13 x 1 1/2 HHCS-SS	1/2-13 x 1 1/2 Hex Head Cap Screw (stainless steel)	2
32	6 x 1/4 RUDS-SS	6 x 1/4 Round Head U Drive Screw (stainless steel)	4
33	1/4-20 x 1/2 FSHCS-SS	1/4-20 x 1/2 Flat Socket Head Cap Screw (stainless steel)	2
34	2580051	EG1/Ergo UHMW Belt Support	1

INNER MAST ASSEMBLY



INNER AND OUTER MAST ASSEMBLY



INNER MAST PARTS LIST

<u>ITEM</u>	<u>PART NO.</u>	<u>DESCRIPTION</u>	<u>QTY</u>
1	3912	32" High Inner Mast with 5" Belt Cradle	1
2	3/8-16 HN	3/8-16 Finished Hex Nut (zinc)	2
2	3/8-16 HN-SS	3/8-16 Finished Hex Nut (stainless steel)	2
3	3/8 LW	3/8 Lock Washer (zinc)	2
3	3/8 LW-SS	3/8 Lock Washer (stainless steel)	2
4	3516	Rubber Belt	1
5	2580051	EG1/Ergo UHMW Belt Support	1
6	8912	Chain to Mast Bracket	1
6	8912HR	High Reach Chain to Mast Bracket	1
7	3/8-16 x 1 1/2 SHCS	3/8-16 x 1 1/2 Socket Head Cap Screw Alloy Plated	2
7	3/8-16 x 1 1/2 SHCS-SS	3/8-16 x 1 1/2 Socket Head Cap Screw (stainless steel)	2
8	5/16-18 x 1 FSHCS-SS	5/16-18 x 1 Flat Socket Head Cap Screw (stainless steel)	6
9	4008	Delrin Roller	4
10	90295A187	1/16" Nylon Flat Washer	-
10	95606A170	1/32" Nylon Flat Washer	-
11	2580050	EG1/Ergo Belts Clamp Straps	2
12	5/16-18 X 1 HHCS	5/16-18 x 1 Hex Head Cap Screw Grade 5 (zinc)	4
12	5/16-18 X 1 HHCS-SS	5/16-18 x 1 Hex Head Cap Screw (stainless steel)	4

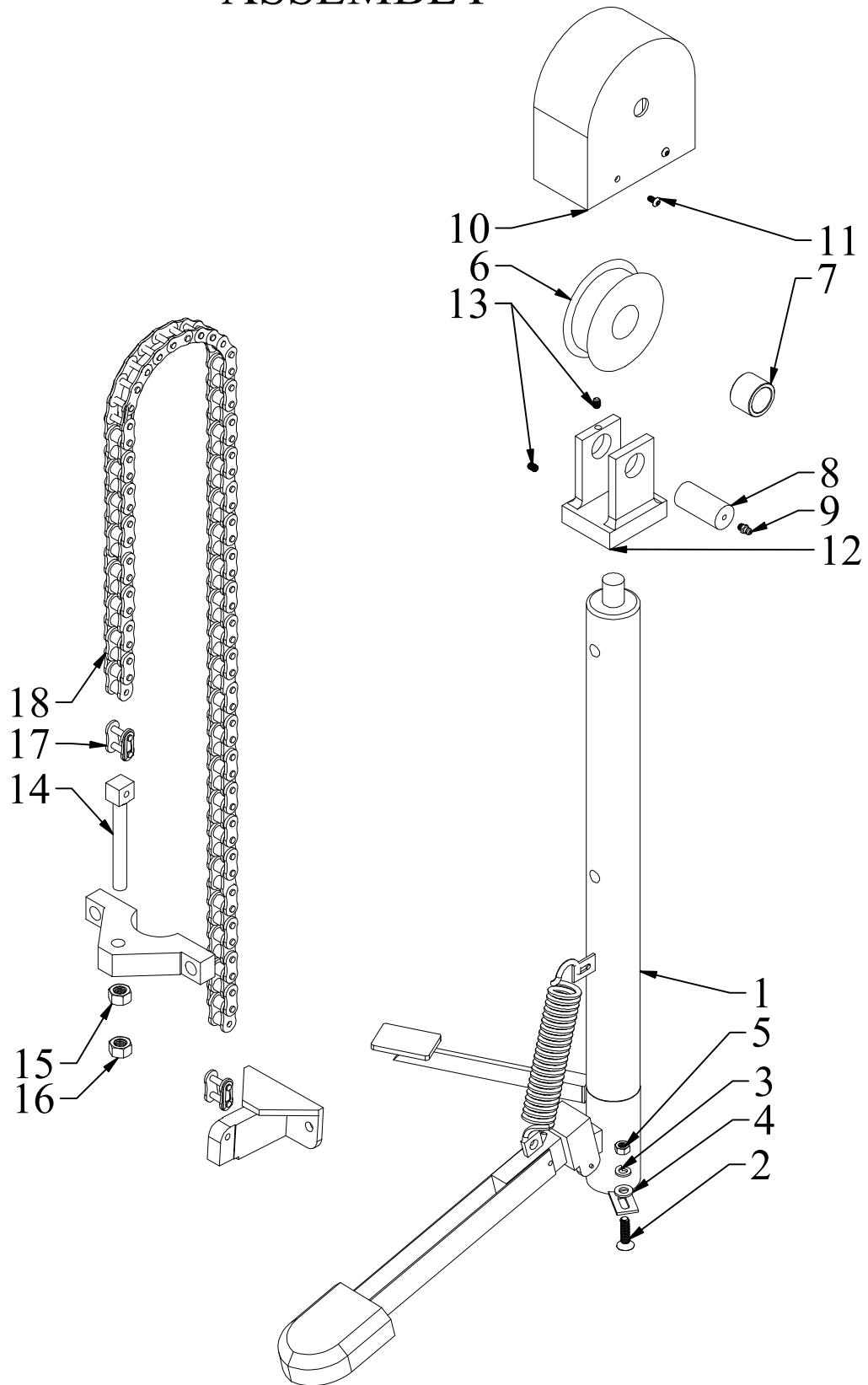
INNER AND OUTER MAST PARTS LIST

<u>ITEM</u>	<u>PART NO.</u>	<u>DESCRIPTION</u>	<u>QTY</u>
2	3/8-16 HN	3/8-16 Finished Hex Nut (zinc)	2
2	3/8-16 HN-SS	3/8-16 Finished Hex Nut (stainless steel)	2
3	3/8 LW	3/8 Lock Washer (zinc)	2
3	3/8 LW-SS	3/8 Lock Washer (stainless steel)	2
6	8912	Chain to Mast Bracket	1
6	8912HR	High Reach Chain to Mast Bracket	1
7	3/8-16 x 1 1/2 SHCS	3/8-16 x 1 1/2 Socket Head Cap Screw Alloy Plated	2
7	3/8-16 x 1 1/2 SHCS-SS	3/8-16 x 1 1/2 Socket Head Cap Screw (stainless steel)	2
9	4008	Delrin Roller	4
10	90295A187	1/16" Nylon Flat Washer	-
10	95606A170	1/32" Nylon Flat Washer	-
13	1/2-20 x 1 1/4 FSHCS	1/2-20 x 1 1/4 Flat Socket Head Cap Screw (zinc)	4
14	2580453	32" High Outer Mast with 3" Belt Cradle	1
15	1/2-20 x 1 1/4 SHCS	1/2-20 x 1 1/4 Socket Head Cap Screw Alloy Plated	4
16	5516E	Optional: Belt Cradle Kit (includes all hardware)	1
17	2580401	32" High Inner Mast (Scale)	1
18	LCRB	Load Cell Replacement Block	2
18	HM1000	Load Cell with 4' cable	2

HF500 FOOT OPERATED HYDRAULIC CYLINDER PARTS LIST

<u>ITEM</u>	<u>PART NO.</u>	<u>DESCRIPTION</u>	<u>QTY</u>
1	HF500-6	RAM - Specify travel	1
2	HF500-3	Top Nut	1
3	HF500-2	Reservoir Tube - Specify Travel	1
4	HF500-5	Inside Cylinder Tube - Specify Travel	1
5	HF500-8	RAM Cup Support Washer	1
6	HF500-43	Socket	1
7	HF500-9	RAM Cup Washer	1
8	QH525-13	RAM Cup Nut	1
9	HF500-30	Filler Screw & Washer Sets of 2	1
10	HF500-23	Foot Release Lever Assembly	1
11	2206	Housing to Housing Spring (zinc)	1
12	HF500-1RP	Body Assembly - NOT AVAILABLE	1
13	MK2429-44	Lever Arm with Rubber	1
 <u>INDIVIDUAL KIT PARTS</u>			
14	HF500-54RP	Pump Piston Assembly (complete)	1
15	HF500-42RP	Lever Arm Pin (including cotter pins)	1
16	HF500-4	Top Nut O-Ring	1
17	HF500-7	RAM Cup	1
18	HF500-32	Body O-Ring Set of 2	1
19	HF500-15RP	Release Plunger (including seals)	1
20	HF500-24RP	Release Lever Pin (including cotter pins)	1
21	HF500-25RP	Lever Socket Pin Set of 2 (including cotter pins)	1
22	HF500-29	Pump Piston Clip	1
23	HF500-51RP	Pump Valve	1
24	HF500-50RP	Release Valve	1
 <u>FULL REPAIR KIT</u>			
	HF500-53RP	Hydraulic Repair Kit	
 <u>CYLINDER ASSEMBLIES</u>			
	MK2429-20	Hydraulic Lift Cylinder	
	MK2429-20FG	Hydraulic Lift Cylinder (with Food Grade Hyd. Oil)	
	MK2429-20SS	Stainless Steel Hydraulic Lift Cylinder	
	MK2429-25	Hydraulic Lift Cylinder	
	MK2429-25FG	Hydraulic Lift Cylinder (with Food Grade Hyd. Oil)	
	MK2429-33	Hydraulic Lift Cylinder	
	MK2969	Lift Jack, Stainless Steel - 33" Stroke	

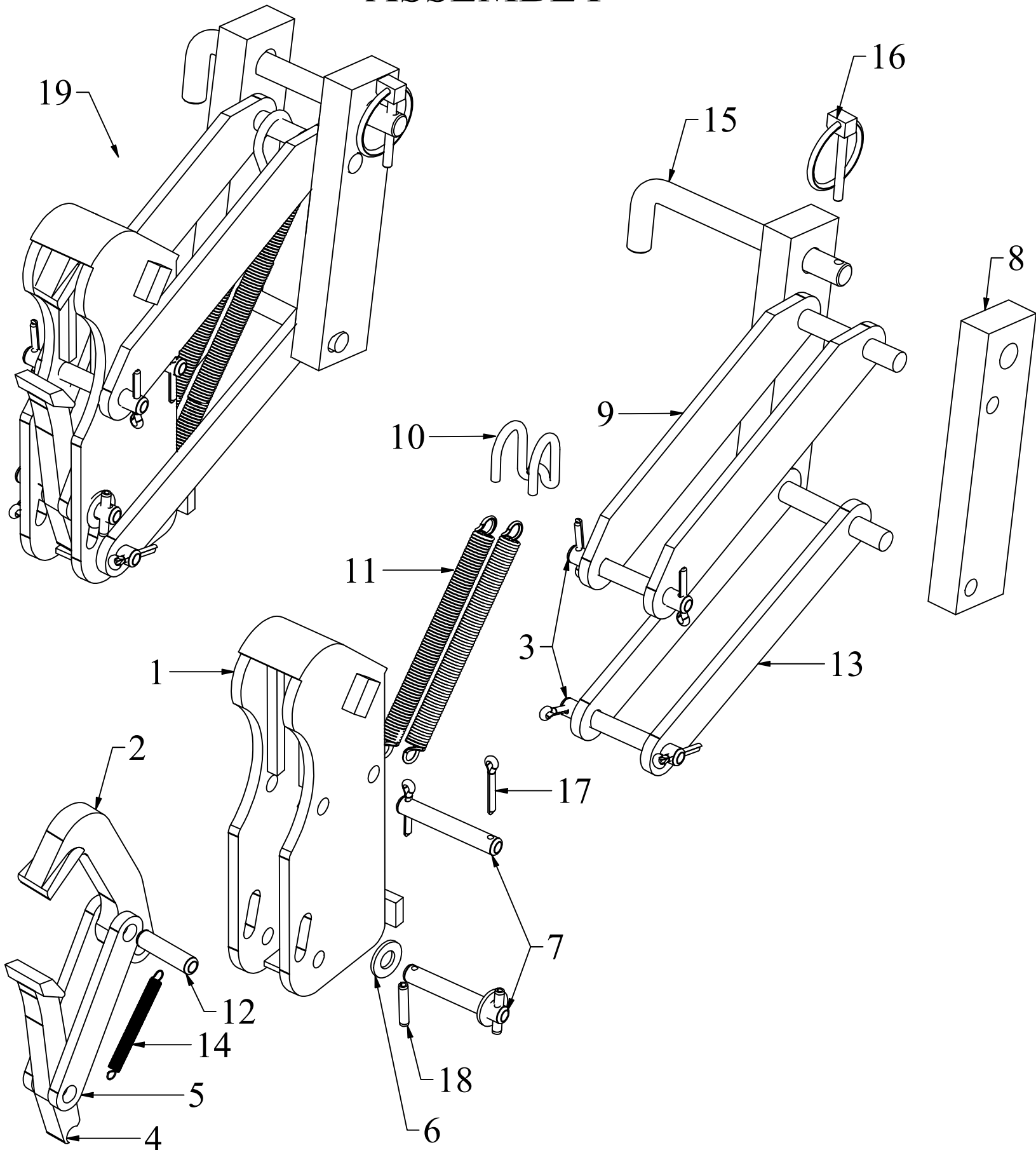
DRUM TRANSPORTER FOOT PUMP LIFT CHAIN ASSEMBLY



DRUM TRANSPORTER FOOT PUMP LIFT CHAIN PARTS LIST

<u>ITEM</u>	<u>PART NO.</u>	<u>DESCRIPTION</u>	<u>QTY</u>
1	MK2429-20	Hydraulic Lift Cylinder	1
1	MK2429-20FG	Hydraulic Lift Cylinder (with Food Grade Hyd. Oil)	1
1	MK2429-20SS	Stainless Steel Hydraulic Lift Cylinder	1
1	MK2429-25	Hydraulic Lift Cylinder	1
1	MK2429-25FG	Hydraulic Lift Cylinder (with Food Grade Hyd. Oil)	1
1	MK2429-33	Hydraulic Lift Cylinder	1
1	MK2969	Lift Jack, Stainless Steel - 33" Stroke	1
-	HF500-53RP	Hydraulic Repair Kit	-
2	5/16-18 x 1 1/4 FSHCS-SS	5/16-18 x 1 1/4 Flat Socket Head Cap Screw (stainless steel)	2
3	5/16 LW	5/16 Lock Washer (zinc)	2
3	5/16 LW-SS	5/16 Lock Washer (stainless steel)	2
4	5/16 FW	5/16 Flat Washer (zinc)	2
4	5/16 FW-SS	5/16 Flat Washer (stainless steel)	2
5	5/16-18 HN	5/16-18 Finished Hex Nut (zinc)	2
5	5/16-18 HN-SS	5/16-18 Finished Hex Nut (stainless steel)	2
6	55061	4" Sheave Wheel	1
7	CB-1622-08	Sheave Wheel Bushing	1
8	45061	Sheave Wheel Axle (1" x 2.125")	1
9	1095K41	1/4"-28 Grease Fitting	1
10	3022	4" Sheave Wheel Cover	1
11	10-24 x 3/8 BSC-SS	10-24 x 3/8 Button Socket Cap 18/8 (stainless steel)	4
12	7912-4-1	Sheave Wheel Bracket 4" (1" bore)	1
13	93445A425	1/4"-20 x 3/8" Stainless Steel Knurl-Grip Set Screw	2
14	2022	Chain Adjuster for ANSI 60 Chain	1
15	1/2-13 HN	1/2-13 Finished Hex Nut (zinc)	1
15	1/2-13 HN-SS	1/2-13 Finished Hex Nut (stainless steel)	1
16	1/2-13 NLN	1/2-13 Nylon Locking Nut	1
16	1/2-13 NLN-SS	1/2-13 Nylon Locking Nut (Stainless Steel)	1
17	60HMCL	ANSI 60 Link	2
18	RC060RC1-49	Chain-Ansi 60 (49" Long)	1
18	RC060RC1-49PC	FDA Chain-Ansi 60 (49" Long)	1
18	RC060RC1-65	Chain-Ansi 60 for Ergo (65" Long)	1
18	RC060RC1-65PC	FDA Chain-Ansi 60 for Ergo (65" Long)	1
18	RC060RC1-73	Chain-Ansi 60 for Ergo (73" Long)	1
18	RC060RC1-73PC	FDA Chain-Ansi 60 for Ergo (73" Long)	1

EG1 LIGHT DUTY SINGLE CLAMPING MECHANISM ASSEMBLY



EG1 LIGHT DUTY SINGLE CLAMPING MECHANISM PARTS LIST

<u>ITEM</u>	<u>PART NO.</u>	<u>DESCRIPTION</u>	<u>QTY</u>
1	6302	Housing (Black Powder Coating)	1
1	6302SS	Housing (Stainless Steel)	1
2	9107SS	Stainless Steel Upper Jaw (Spark Resistant)	1
3	15104-1SS	3/8" x 2.242" Pin, Fibre Guard, Housing to Clevis (stainless steel)	2
4	7107SS	Stainless Steel Lower Jaw (Spark Resistant)	1
5	13009-1	Link, Jaw to Jaw (zinc)	2
5	13009-1SS	Link, Jaw to Jaw (stainless steel)	2
6	1470-6	Custom Washer EG (Stainless Steel)	2
7	16104-1SS	3/8" x 1.770" Pin, Upper Jaw Link (stainless steel)	2
8	8002	Adjustment Slide (FDA Black Powder Coating)	2
8	8002SS	Adjustment Slide (Stainless Steel)	2
9	5912	Upper Clevis 8" (FDA Black Powder Coating)	1
9	5912SS	Upper Clevis 8" (Stainless Steel)	1
9	5912S	Upper Clevis 6" (FDA Black Powder Coating - Double Mast)	1
9	5912SS-S	Upper Clevis 6" (Stainless Steel - Double Mast)	1
10	8996-2	Clevis Spring Hook (Stainless Steel)	1
11	8206	Clevis Spring (zinc)	2
12	41041SS	3/8" x 1" Pin, Upper Jaw to Link, short (stainless steel)	1
13	6912	Lower Clevis 7 1/2" (FDA Black Powder Coating)	1
13	6912SS	Lower Clevis 7 1/2" (Stainless Steel)	1
13	6912S	Lower Clevis 5 1/2" (FDA Black Powder Coating - Double Mast)	1
13	6912SS-S	Lower Clevis 5 1/2" (Stainless Steel - Double Mast)	1
14	1206	Spring, Jaw to Housing (stainless steel)	1
15	10204-1SS	1/2" x 4-1/2" Adjusting Pin (stainless steel)	1
16	HANG-1	3/16 x 1-1/4 Shank Lynch Pin "Hang 1" (9016)	1
17	3006-CP	Cotter Pin, 1/8" x 3/4" (zinc)	6
17	1/8 x 3/4 CP-SS	1/8 x 3/4 Cotter Pins (stainless steel)	6
18	5/32 x 1/2 Roll Pin	Stainless Steel 5/32 x 1/2 Roll Pin	2
	WLG	12oz White Lithium Grease	1
<u>FULL ASSEMBLIES</u>			
19	9004	EG1 Single Clamping Mechanism (FDA Black Powder Coating)	
19	9004S	EG1 Single Clamping Mechanism (FDA Black Powder Coating - Double Mast)	
19	9004SRC	EG1 Single Clamping Mechanism (Stainless Steel Housing - Non-Sparking)	
19	9004SRC-S	EG1 Single Clamping Mechanism (Stainless Steel Housing - Non-Sparking - Double Mast)	
19	9004SS	EG1 Single Clamping Mechanism (Stainless Steel - Non-Sparking)	
19	9004SS-S	EG1 Single Clamping Mechanism (Stainless Steel - Non-Sparking - Double Mast)	
<u>PREVENTATIVE MAINTENANCE KITS</u>			
	EG1PMKIT	EG1 Preventative Maintenance Kit	
	EG1BCPMKIT	EG1 Preventative Maintenance Kit w/ Belt Cradle	

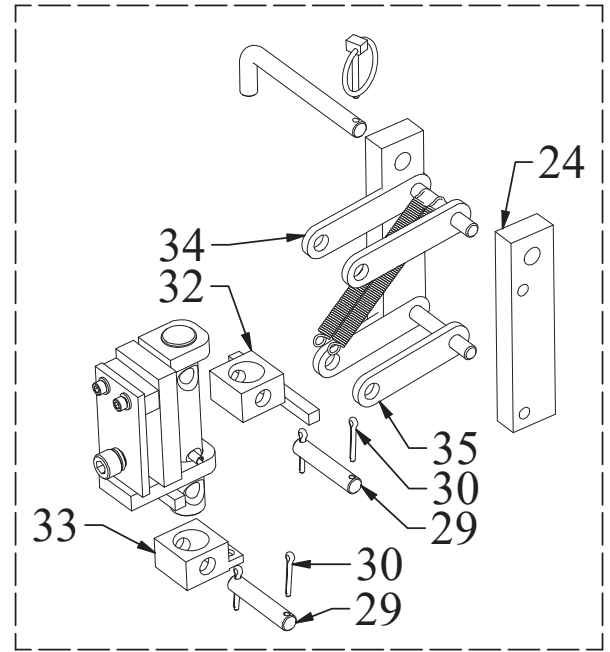
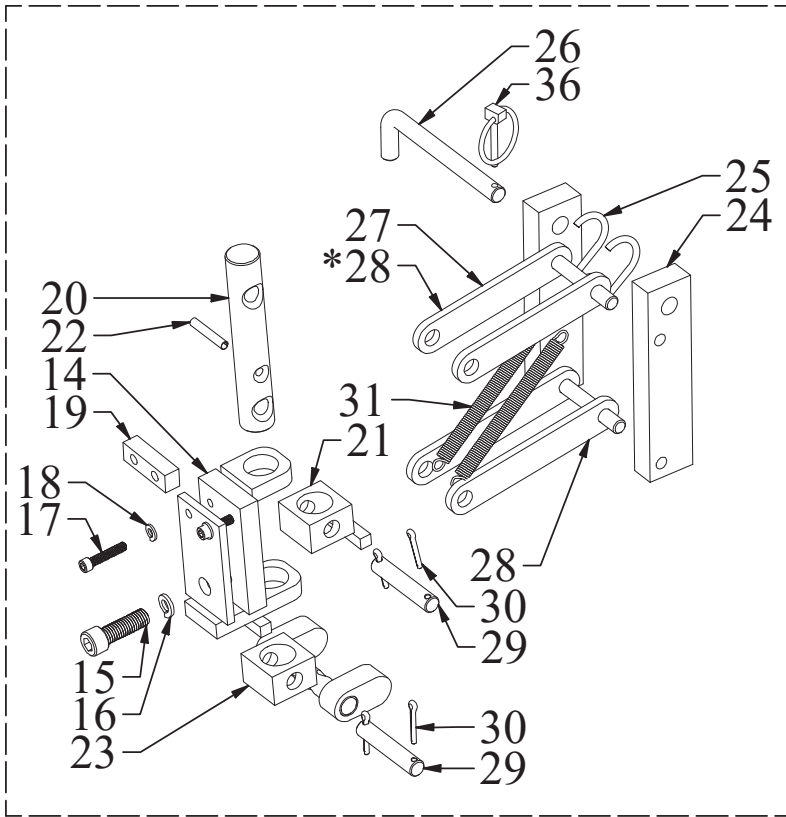
**EG1 SINGLE CLAMPING MECHANISM
PREVENTATIVE MAINTENANCE KIT BREAKDOWN**

EG1 PREVENTATIVE MAINTENANCE KIT			
<u>ITEM</u>	<u>PART NO.</u>	<u>DESCRIPTION</u>	<u>QTY</u>
11	8206	Clevis Spring (zinc)	2
14	1206	Spring, Jaw to Housing (stainless steel)	1
16	HANG-1	3/16 x 1-1/4 Shank Lynch Pin "Hang 1" (9016)	1
17	3006-CP	Cotter Pin, 1/8" x 3/4" (zinc)	6
18	5/32 x 1/2 Roll Pin	Stainless Steel 5/32 x 1/2 Roll Pin	2
	WLG	12oz White Lithium Grease	1
ALL ABOVE ITEMS PART NUMBER: EG1PMKIT			

EG1 PREVENTATIVE MAINTENANCE WITH BELT CRADLE KIT			
	<u>PART NO.</u>	<u>DESCRIPTION</u>	<u>QTY</u>
11	8206	Clevis Spring (zinc)	2
13	5516E	Optional: Belt Cradle Kit (includes all hardware)	1
14	1206	Spring, Jaw to Housing (stainless steel)	1
16	HANG-1	3/16 x 1-1/4 Shank Lynch Pin "Hang 1" (9016)	1
17	3006-CP	Cotter Pin, 1/8" x 3/4" (zinc)	6
18	5/32 x 1/2 Roll Pin	Stainless Steel 5/32 x 1/2 Roll Pin	2
	WLG	12oz White Lithium Grease	1
ALL ABOVE ITEMS PART NUMBER: EG1BCPMKIT			

THIS PAGE INTENTIONALLY LEFT BLANK

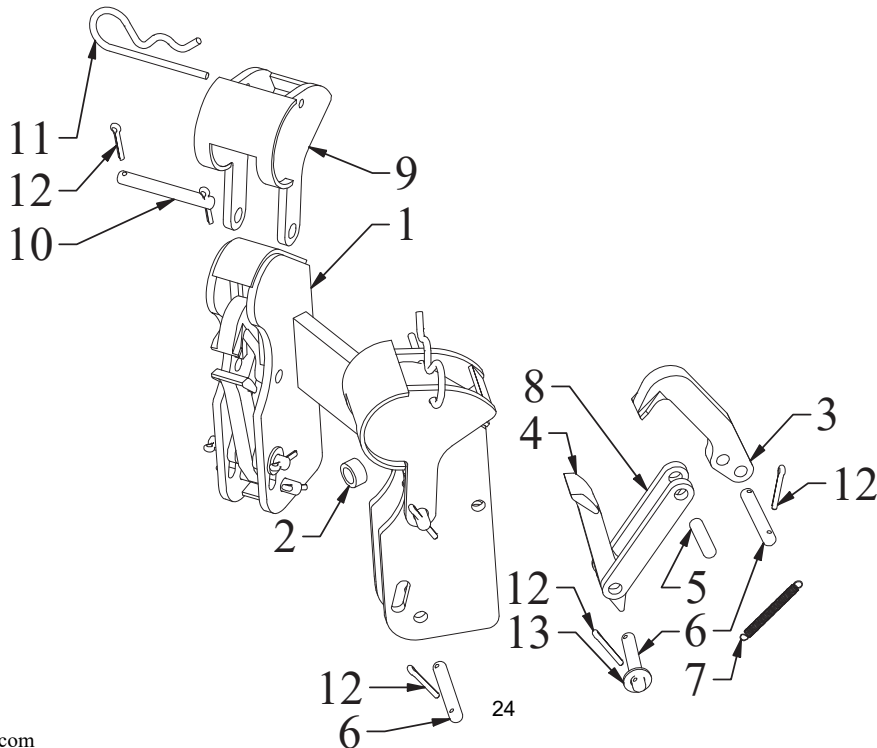
EG2 LIGHT DUTY DOUBLE CLAMPING MECHANISM ASSEMBLY



SEEN ON LEFT: **ERGO UNITS WITH A 5" BELT CRADLE** WILL PRIMARILY USE A 6" UPPER CLEVIS (#27) AND A 5-1/2" LOWER CLEVIS (#28). ALONG WITH A LOWER PIVOT BLOCK WITH OVAL STOP BARS (#23) AND AN UPPER PIVOT BLOCK WITH A 2-1/4" STOP BAR (#21).

***EAGLE-GRIP ATTACHMENTS** WILL PRIMARILY USE 5-1/2" LOWER CLEVISES (#28) FOR BOTH THE TOP AND BOTTOM CLEVISES.

SEEN ON THE RIGHT: **ERGO UNITS WITH A 3" BELT CRADLE** WILL PRIMARILY USE A 4-1/2" UPPER CLEVIS (#34) AND A 4" LOWER CLEVIS (#35). ALONG WITH A LOWER PIVOT BLOCK (#33) AND AN UPPER PIVOT BLOCK WITH A 3-3/4" STOP BAR (#32).



EG2 LIGHT DUTY DOUBLE CLAMPING MECHANISM PARTS LIST

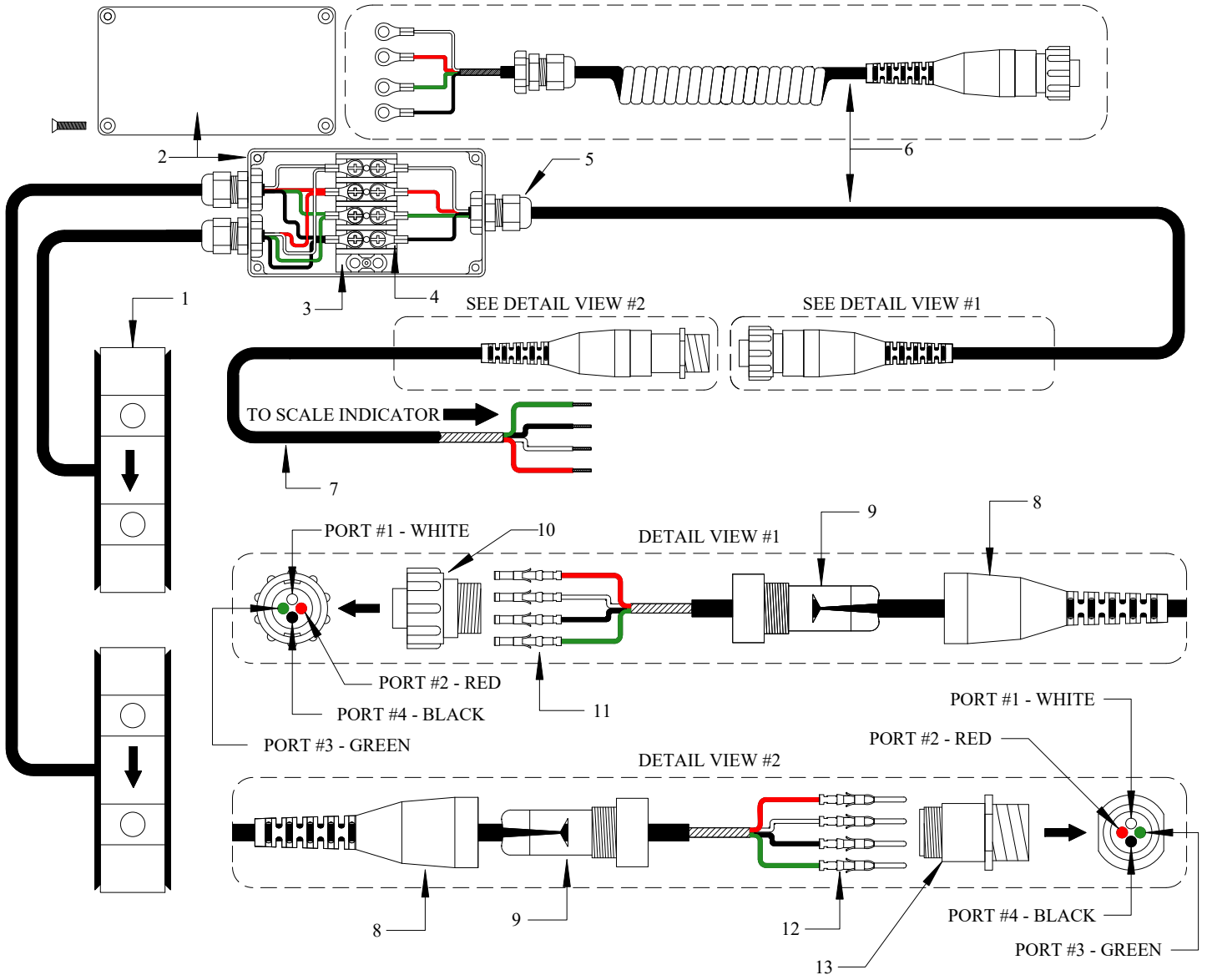
<u>ITEM</u>	<u>PART NO.</u>	<u>DESCRIPTION</u>	<u>QTY</u>
1	7302R	Housing, Double Clamping Mechanism (Black Powder Coating)	1
1	7302RSS	Housing, Double Clamping Mechanism (Stainless Steel)	1
2	10001	Bushing, Housing Yolk Trunion (zinc)	1
3	9107SS	Stainless Steel Upper Jaw (Spark Resistant)	2
4	7107SS	Stainless Steel Lower Jaw (Spark Resistant)	2
5	41041SS	3/8" x 1" Pin, Upper Jaw to Link, short (stainless steel)	2
6	16104-1SS	3/8" x 1.770" Pin, Upper Jaw Link (stainless steel)	6
7	1206	Spring, Jaw to Housing (stainless steel)	2
8	13009-1	Link, Jaw to Jaw (zinc)	4
9	621	Fiber Drum Guard (Black Powder Coating)	2
9	621SS	Fiber Drum Guard (Stainless Steel)	2
10	15104-1SS	3/8" x 2.242" Pin, Fibre Guard, Housing to Clevis (stainless steel)	2
11	7019	3-7/8" Hair Pin Clip (zinc)	2
12	3006-CP	Cotter Pin, 1/8" x 3/4" (zinc)	16
13	1470-6	Custom Washer EG (Stainless Steel)	4
14	6012R	Universal Body (Black Powder Coating)	1
15	1/2-13 x 1 1/2 SHCS	1/2-13 x 1 1/2 Socket Head Cap Screw (zinc)	1
16	1/2 LW	1/2 Lock Washer (zinc)	1
17	1/4-20 x 1 1/4 SHCS	1/4-20 x 1 1/4 Socket Head Cap Screw Alloy Plated	2
18	1/4 LW	1/4 Lock Washer (zinc)	2
19	50064	Spacer (Black Powder Coating)	1
20	64061	Universal Pin (zinc)	1
21	50021R	Upper Pivot Block (Black Powder Coating)	1
22	70062	Spring Roll Pins 1/4 X1-1/2 (zinc) (xref 70641)	1
23	5012R	Lower Pivot Block with Oval Stop Bars (Black Powder Coating)	1
24	8002	Adjustment Slide (FDA Black Powder Coating)	2
25	8996-2	Clevis Spring Hook (Stainless Steel)	1
26	10204-1SS	1/2" x 4-1/2" Adjusting Pin (stainless steel)	1
27	5912R	Upper Clevis 6" (Black Powder Coating)	1
27	5912RZ	Upper Clevis 6" (FDA Powder Coating)	1
28	6912R	Lower Clevis 5 1/2" (Black Powder Coating)	1
28	6912RZ	Lower Clevis 5 1/2" (FDA Powder Coating)	1
29	16033-1	1/2" x 2.625" Pin, Clevis (zinc)	2
30	6006-CP	Cotter Pin, 5/32" x 1" (zinc)	4
31	8206	Clevis Spring (zinc)	2
32	50021RS	Upper Pivot Block (Black Powder Coating - Double Mast)	1
33	5012RS	Lower Pivot Block (Black Powder Coat- Double Mast)	1
34	5912RS	Upper Clevis 4 7/16" (Black Powder Coating - Double Mast)	1
34	5912RZS	Upper Clevis 4 7/16" (FDA Powder Coating - Double Mast)	1
35	6912RS	Lower Clevis 4" (Black Powder Coating - Double Mast)	1
35	6912RZS	Lower Clevis 4" (FDA Powder Coating - Double Mast)	1
36	HANG-1	3/16 x 1-1/4 Shank Lynch Pin "Hang 1" (9016)	1
 <u>FULL ASSEMBLIES</u>			
	4004R	EG2L Double Clamping Mechanism (Black Powder Coating)	
	4004RS	EG2L Double Clamping Mechanism (Black Powder Coating - Double Mast)	
	4004RSRC	EG2L Double Clamping Mechanism (Stainless Steel Housing - Non-Sparking)	
	4004RSRC-S	EG2L Double Clamping Mechanism (Stainless Steel Housing - Non-Sparking- Double Mast)	
 <u>PREVENTATIVE MAINTENANCE KITS</u>			
	EG2LPMKIT	EG2LDCM Preventative Maintenance Kit	

**EG2 LIGHT DUTY DOUBLE CLAMPING MECHANISM
PREVENTIVE MAINTENANCE KIT PARTS LIST**

<u>PART NO.</u>	<u>DESCRIPTION</u>	<u>QTY</u>
1206	Spring, Jaw to Housing (stainless steel)	2
HANG-1	3/16 x 1-1/4 Shank Lynch Pin "Hang 1" (9016)	1
7019	3-7/8" Hair Pin Clip (zinc)	2
3006-CP	Cotter Pin, 1/8" x 3/4" (zinc)	16
8206	Clevis Spring (zinc)	2
5516E	Optional: Belt Cradle Kit (includes all hardware)	1
WLG	12oz White Lithium Grease	1

THIS PAGE INTENTIONALLY LEFT BLANK

SCALE WIRING ASSEMBLY



SCALE WIRING PARTS LIST

<u>ITEM</u>	<u>PART NO.</u>	<u>DESCRIPTION</u>	<u>QTY</u>
1	HM1000	Load Cell with 4' cable	2
2	CU-124	Terminal Box Enclosure	1
-	7531A34	Two Sided Tape (6" Length)	1
3	7527K64	Terminal Block (Strip) 7/16", 4 circuits	1
4	3A214	Terminal Eyelet	12
5	ZZHEY3208	Cable Fitting	3
6	3530360	Eagle-Grip Scale Cable Assembly (Female End) - 30" Length	1
6	3530351	Scale Cable Assembly (Female End) - 50" Length (48" Mast)	1
6	3530352	Scale Cable Assembly (Female End) - 54" Length (60" Mast)	1
6	3530353	Scale Cable Assembly (Female End) - 60" Length (72" Mast)	1
6	3530354	Scale Cable Assembly (Female End) - 70" Length (84" Mast)	1
6	3530355	Scale Cable Assembly (Female End) - 80" Length (96" Mast)	1
6	3530356	Scale Cable Assembly (Female End) - 90" Length (108" Mast)	1
6	3530357	Scale Cable Assembly (Female End) - 100" Length (120" Mast)	1
6	3530368	Scale Cable Assembly (Female End) - 110" Length (132" Mast)	1
6	3530369	Scale Cable Assembly (Female End) - 120" Length (144" Mast)	1
6	3530358	Scale Coiled Cable Assembly (Female End)	1
7	3530361	Eagle-Grip/Ergo Scale Cable Assembly (Male End) - 24" Length	1
7	3530350	DH/RH, ED/ER, ELDR Scale Cable Assembly (Male End) - 36" Length	1
7	3530379	DH/RH, ED/ER, ELDR Swivel Scale Cable Assembly (Male End) - 48" Length	1
8	AP2074891	Strain Relief	2
9	AP2074901	Cable Grip	2
10	AP2060601	Connector Plug Size 11-4 (Female)	1
11	AP661054	Terminal Socket	4
12	AP661034	Terminal Pin	4
13	AP2061531	Connector Recp CPC 11-4 (Male)	1

Non-Intrinsically Safe Indicators

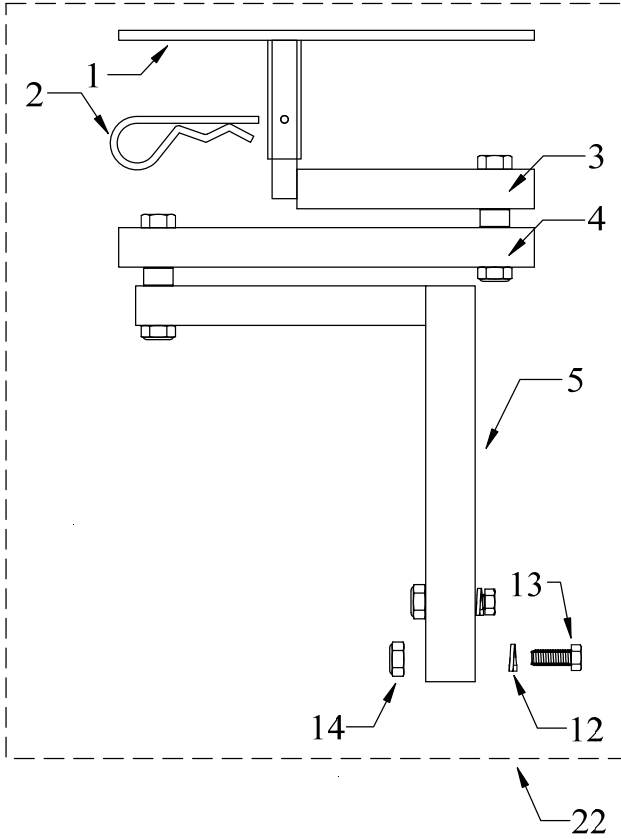
7000XLM	Doran™ 7000XL Non-intrinsically Safe Scale Indicator
SUB0853	Rechargeable Battery, with wire and terminals (2200, 7000, 8000)
2200	Doran™ 2200 Non-intrinsically Safe Scale Indicator (Numeric Keypad)
EXOPT187	Battery Option for Non-Intrinsically Safe 2200 Indicator
164582	Rice Lake 482 Indicator w Internal Battery & Charger
164585	Rice Lake 482 Plus Indicator w Internal Battery & Charger
107708	Rice Lake 720i Indicator

Intrinsically Safe Indicators

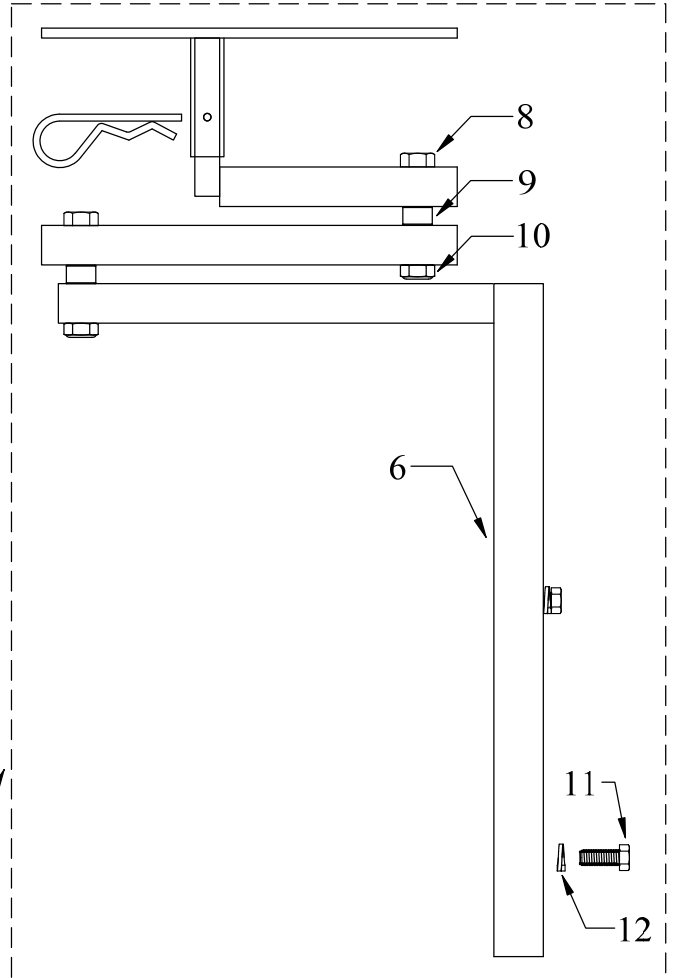
185288	Rice Lake 882IS Indicator w Battery Pack & Safe Area Charger
185291	Rice Lake 882IS PLUS Indicator w Battery Pack & Safe Area Charger
180831	Rice Lake 882IS Battery
194191	Rice Lake 882IS Battery Charger (IS6V2, 100-240 VAC)
72210052	Mettler Toledo IND226x Indicator
72258718	Mettler Toledo IND560x Indicator
64060627	Mettler Toledo EX Indicator Battery (Includes Cable)
64060217	Mettler Toledo Battery Charger (Safe Area, US Plug)

SWIVEL SCALE BRACKET ASSEMBLY

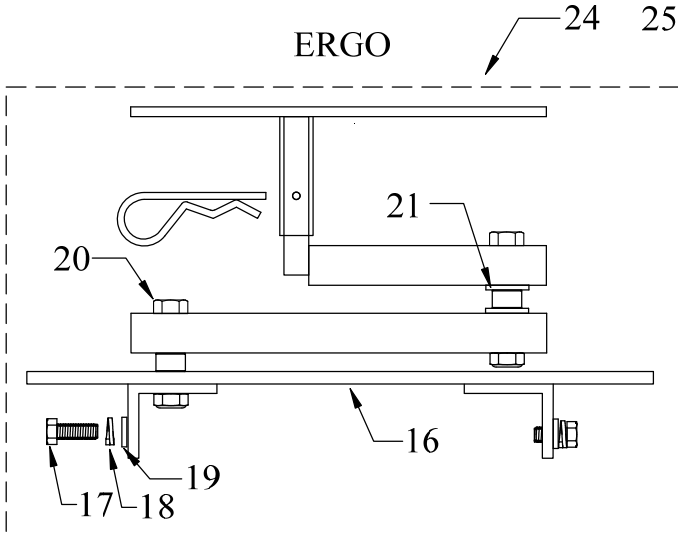
ELDR



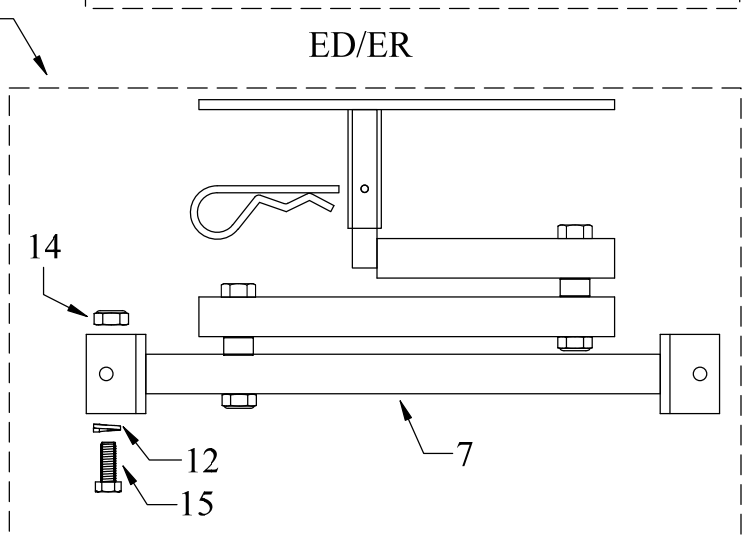
DRUM/ROLL-HAULER



ERGO



ED/ER



SWIVEL SCALE BRACKET PARTS LIST

<u>ITEM</u>	<u>PART NO.</u>	<u>DESCRIPTION</u>	<u>QTY</u>
1	3530348	Indicator Mount Bracket With Tube	1
2	98335A094	Zinc-plated steel cotter pin, 7/8"-1 D, 3-3/4 L	1
3	2580309	Scale Swing Bracket Post Bracket	1
4	2580308	Scale Swing Bracket Mid Bracket	1
5	2580310	ELDR Swivel Scale Bracket Frame Mount	1
6	3530349	DH Swivel Scale Bracket Base Mount	1
7	2580307	ED Swivel Scale Bracket Frame Mount	1
8	1/2-13 x 3 HHCS	1/2-13 x 3 Hex Head Cap Screw Grade 5 (zinc)	2
9	10001	Bushing, Housing Yolk Trunion (zinc)	2
10	1/2-13 THIN NLN	1/2-13 Nylon Locking Nut (THIN)	2
11	5/16-18 x 3/4 HHCS	5/16-18 x 3/4 Hex Head Cap Screw Grade 5 (zinc)	2
12	5/16 LW	5/16 Lock Washer (zinc)	2
13	5/16-18 x 1 HHCS	5/16-18 x 1 Hex Head Cap Screw Grade 5 (zinc)	2
14	5/16-18 HN	5/16-18 Finished Hex Nut (zinc)	2
15	5/16-18 x 1 3/4 HHCS	5/16-18 x 1 3/4 Hex Head Cap Screw (zinc)	2
16	2580306	Ergo Scale Mount - 1.5" High	1
16	3530396	Ergo Scale Mount - 6.5" High	1
17	1/4-20 x 3/4 HHCS	1/4-20 x 3/4 Hex Head Cap Screw Grade 5 (zinc)	2
18	1/4 LW	1/4 Lock Washer (zinc)	2
19	1/4 FW SAE	1/4 Flat Washer SAE (zinc)	2
20	1/2-13 x 2 1/2 HHCS	1/2-13 x 2 1/2 Hex Head Cap Screw Grade 5 (zinc)	1
21	1/2 FW	1/2 Flat Washer (zinc)	2
 <u>FULL ASSEMBLY</u>			
22	3530402	ELDR Scale Swing Out Bracket Assembly	1
23	3530403	DH / RH Scale Swing Out Bracket Assembly	1
24	3530404	Ergo Scale Swing Out Bracket 1.5" Assembly	1
24	3530405	Ergo Scale Swing Out Bracket 6.5" Assembly	1
25	3530406	ED / ER Scale Swing Out Bracket Assembly	1